

BULLDOZER

VAN TUNEN – BULLDOZER D9

Operating
weight
± 58 tons



Van Tunen Contractor and Rental BV
Zuiderkade 9, 1948NG Beverwijk NL
+31 251 26 44 44 | info@vantunen.nl
www.vantunen.nl



BULLDOZER

VAN TUNEN – BULLDOZER D9

OVERVIEW

The Cat D9T has a reputation for outstanding productivity, operator comfort, and robust reliability. It is a highly versatile machine flexible enough to be used in heavy construction, quarries, landfills, forestry, and mine sites.

PORTFOLIO



Working @ All over the world



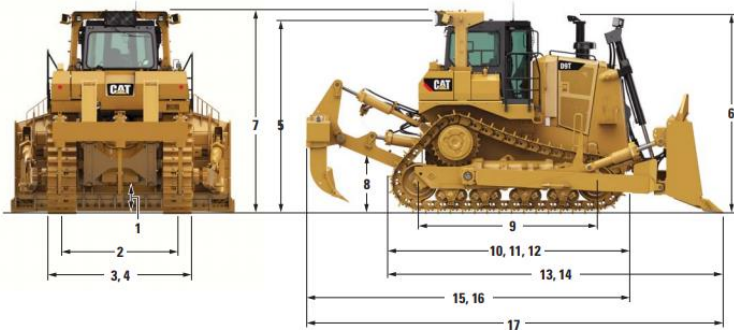
BULLDOZER

VAN TUNEN – BULLDOZER D9



Dimensions

All dimensions are approximate.



	D9T	
	mm	in
1 Ground Clearance*	596	23.4
2 Track Gauge	2250	88.6
3 Width without Trunnions (Standard Shoe)	2880	113.4
4 Width over Trunnions	3300	129.9
5 Height (FOPS Cab)*	3820	150.4
6 Height (Top of Stack)*	3997	157.4
7 Height (ROPS/Canopy)*	4000	157.5
8 Drawbar Height (Center of Clevis)*	763	30.0
9 Length of Track on Ground	3470	136.6
10 Overall Length Basic Tractor	4910	193.3
11 Length Basic Tractor with Drawbar	5180	204.0
12 Length Basic Tractor with Winch	5545	218.3
13 Length with SU-Blade**	6880	270.9
14 Length with U-Blade	6967	274.3
15 Length with Single-Shank Ripper	6529	257.0
16 Length with Multi-Shank Ripper	6538	257.4
17 Overall Length (SU-Blade/SS Ripper)	8230	324.0

*Includes grouser height for total dimensions on hard surfaces.

**Includes drawbar.



FACTS & FIGURES

GENERAL INFORMATION



Engine power:	325KW 436hp
Fuel consumption:	± 45-57 ltr/hr
Blade capacity:	± 13.5 – 16.5m ³
Production:	Contact us

SHIPPING INFORMATION



TOOL	SPECS
Shipping height	± 3.8m
Shipping Length	± 5.0m
Shipping width (610mm tracks)	± 2.9m
Ground clearance	± 0.59m
Ground pressure	± 1.15kg/cm ³
Max. weight	± 58 tons

SPECIALTIES



- Technical Support Van Tunen.
- Operational
 - (Wide) range of blades (coal/sand/rock).
 - Undercarriage (a.o. LGP).
 - Rear implement (a.o. ripper, winch)
 - Multiple Track options

BULLDOZER

VAN TUNEN – BULLDOZER D9

Product Safety has been and continues to be proactive in developing machines that meet or exceed safety standards. Safety is an integral part of all machines and system designs.

Access/Egress Lighting Access lighting is fixed at five (5) minutes and is activated at the ground level service center on the left hand fender. The time limit of the lights is programmable in the Information Display. Egress lighting is configurable. If the forward ROPS lights are on when the key is turned off, the forward ROPS lights will automatically remain on to illuminate the path for the operator exiting the machine. Egress lighting can be deactivated anytime before the timer expires, from the ground level service center.

Visibility Package

The D9T offers multiple visibility packages that enhance the operator's visibility of his or her surroundings and provides a broader view of the work area.

- Mirror in cab
- Mirrors on bulldozer lift cylinders
- Single rear facing camera with 7" display
- Back-up alarms



**“Safety First”
QHSE**