

OFF-HIGHWAY TRUCK

VAN TUNEN – OFF-HIGHWAY 772

Rated Payload
± 51 tons

Empty weight
± 38.3 tons

Van Tunen Contractor and Rental BV
Zuiderkade 9, 1948NG Beverwijk NL
+31 251 26 44 44 | info@vantunen.nl
www.vantunen.nl



OFF-HIGHWAY TRUCK

VAN TUNEN – OFF-HIGHWAY 772

OVERVIEW

“Engineered for performance, designed for comfort, built to last.”, The CAT 772 series has been developed specially for construction, mining and quarry applications. The 772 optimizes demands for lower cost and quality control technologies, combine these keywords and you have a reliable-durable-dependable machine on your project. With this truck your project can be more productive, spend less time on maintenance, and support the environment with new levels of eco performance..

PORTFOLIO



Working @ All over the world



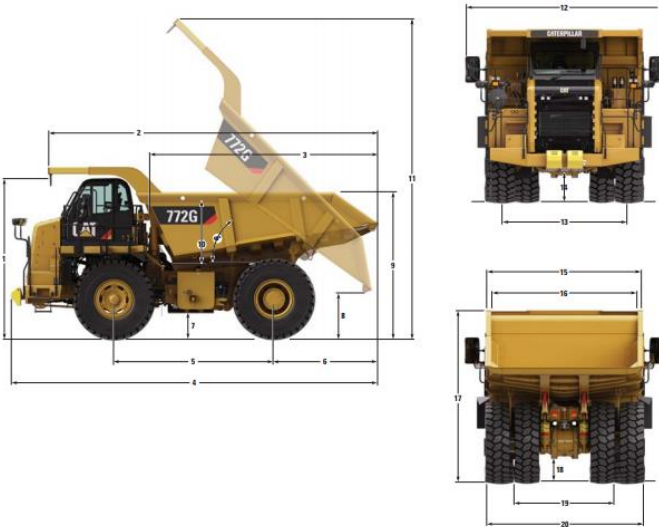
OFF-HIGHWAY TRUCK

VAN TUNEN – OFF-HIGHWAY 772



Dimensions

All dimensions are approximate with dual slope body.



1	Height to Top of ROPS	3907 mm	12.9 ft
2	Overall Body Length	8172 mm	26.9 ft
3	Inside Body Length	5781 mm	18.11 ft
4	Overall Length	8808 mm	28.1 ft
5	Wheelbase	3960 mm	13.0 ft
6	Rear Axle to Tail	2598 mm	8.6 ft
7	Ground Clearance	590 mm	1.11 ft
8	Dump Clearance	451 mm	1.5 ft
9	Loading Height – Empty	3541 mm	11.7 ft
10	Inside Body Depth – Maximum	1747 mm	5.8 ft
11	Overall Height – Body Raised	8257 mm	27.1 ft
12	Operating Width	4780 mm	15.7 ft
13	Centerline Front Tire Width	3165 mm	10.4 ft
14	Engine Guard Clearance	611 mm	2.0 ft
15	Outside Body Width	3931 mm	12.9 ft
16	Inside Body Width	3642 mm	12.0 ft
17	Front Canopy Height	4164 mm	13.7 ft
18	Rear Axle Clearance	572 mm	1.1 ft
19	Centerline Rear Dual Tire Width	2652 mm	8.8 ft
20	Overall Tire Width	3927 mm	12.1 ft



FACTS & FIGURES

GENERAL INFORMATION

Engine power:	446KW 598hp
Body capacity:	31.2 heaped m ³
Fuel consumption:	± 35-55 ltr/hr
Production:	Contact us

SHIPPING INFORMATION

TOOL	SPECS
Shipping height	± 3.9m
Shipping Length	± 8.8m
Max. width	± 3.9m
Max. empty weight	± 38.3 tons

SPECIALTIES

- Technical Support Van Tunen.
- Production increase : various options possible like body extension/ side extension etc.
- W&T
 - Rockliners
 - Body heating
- Configuration options:
 - Bare frame, Blockframe, Flatbed
 - Flat floor body
 - Dual slope body
 - Waterwagon, Fuelwagon

OFF-HIGHWAY TRUCK

VAN TUNEN – OFF-HIGHWAY 772

Product Safety has been and continues to be proactive in developing machines that meet or exceed safety standards. Safety is an integral part of all machines and system designs.

A Focus on Personnel

The 772 is designed to minimize hazards associated with working on and around this truck.

- Ground level daily check points
- Low effort, integrated access system with hand rails for three points of contact
- Aggressive tread plate on all step areas, and lighting for after dark
- Folding windshield washing platform offers solid footing for cleaning the windshield

Confidence and Control

Confident operators will move material quickly, efficiently and profitably.

- Brake design updates increase slope holding capability and include a brake wear indicator
- Wet disc braking for rear wheels; dry disc braking on the front
- Automatic Retarding Control for downhill grades
- New traction control system

Visibility

The 772 supports your site safety plan with excellent visibility to the job site.

- Work Area Vision System (WAVS) is a camera system that enhances visibility behind the truck
- Lighting and mirror packages are available to suit your site conditions

**“Safety First”
QHSE**